

ETLANDER

MULTIFUNCTIONAL ELECTRIC VEHICLE



by  **METESIA**

ETLANDER

ELECTRIC



Protect the environment.

For clean and quiet driving:

- Zero CO² emissions
- Zero noise pollution



SILENT

Ensures quiet driving and work without noise pollution



SECURITY

- Electronic management of vehicle start and stop (RFID badge)
- Pre-equipped for triflash installation (frequent stop)



BATTERY

- Lead or Lithium
- Battery location offers a low centre of gravity and good weight distribution

EASYCHARGING

- Recharging time of the battery:
 - **Lead:** 8 hours from a single socket (16A 230V), simple plug
 - **Lithium:** 7h on a simple plug (16A 230V) or on a charging station, simple plug



AUTONOMOUS

- 1 working day
- 230V power outlet

ETLANDER

OUTLANDISH

CAPACITY:
1 TON

Possibility of towing up
to 750 kg in addition
to the tipper load

Drive and cross with ease.



SPEED:
Up to 40 km/h

VERSATILE

ET-LANDER is also at ease in town...

- Compact (overall length of 3.72 m)
- Short turning radius (4.9 m between two walls, 4.5 m between two kerbs)
- High ground clearance (195 mm) for the passage of anti-access bollards
- Audible pedestrian warning system for added safety



... And in the green!

- High ground clearance (195 mm) and robust chassis for obstacle clearance
- Excellent traction (185/75/R14 off-road tyres with 14" rims)
- Slopes up to 35% (unladen), even off-road

ETLANDER

CUSTOMIZABLE

Take action no matter what your mission is.

WATER TANK

PATENTED SYSTEM

- Water pump
- Water outlet (quick coupling with safety valve) at the front and right side of the vehicle



STORAGE BOXES

2 different versions (with short tipper): with or without water tank

CHOICE OF TIRES

Road or off-road

ACCESSORY HOLDER

for garden hose

EXCLUSIVE

LOADING RAMPS

Side panels can be converted quickly and without tools into loading ramps (long tipper).



CABIN

With or without doors

BATTERY

Lithium or lead



ENERGY CONVERTER

2 kW to power various power tools



SHORT OR LONG TIPPER, FIXED OR TRIDIRECTIONAL

- Three-way tipping with dual cab control and remote control
- Side panel extension for more loading volume



ETLANDER

ERGONOMIC

Don't forget your comfort.



SPACIOUS CABIN

- 2-seater cabin with 1.7 m³ of interior volume
- Soundproofed, thermally insulated and ventilated cabin



DRIVING COMFORT

- Easy access without steps
- Power steering
- Shock absorbing suspension



360° VISIBILITY

- 360° field of vision, no blind spots (side and front)
- Reversing camera (fitted as standard)



ERGONOMIC CENTRAL CONSOLE

- Backlit membrane keyboard
- 4.3" LCD display
- Grouping of all equipment and accessory controls, as well as information and warning indicators

ECO-CONCEPT



95%
RECYCLABLE
MATERIALS

MADE IN FRANCE



- Designed and assembled in Wissembourg, Alsace
- Based on a network of local, national and European suppliers
- Co-developed with partners (landscapers, cities, communities)

INNOVATIVE & ROBUST

- Expanded polypropylene material for the cab lining
- Aluminium material for the cab, cabinet and tipper
- Designed to last



CHARACTERISTICS

Designed and manufactured in France, ET-LANDER is built on a robust chassis and is equipped with proven technical components. Easy to maintain, it is guaranteed for 2 years parts and labour.



TECHNICAL CHARACTERISTICS

PERFORMANCE

Maximum loading area:	181 cm x 151cm
Maximum payload:	1 metric ton
Long tipper:	L 1815 mm / l 1515 mm
Short tipper:	L 1570 mm / l 1515 mm
Height of the side panel:	380 mm
Maximum towing capacity (unbraked trailer):	750 kg
Estimated range:	1 working day
Maximum speed:	Up to 40 km/h
Maximum gradeability:	35% (unloaded)
Minimum turning radius: *between two walls and **between two curbs	*4,9 m **4,5 m

MOTOR

Electric motor type:	3-phase asynchronous
Nominal power:	10 kW

TRANSMISSION

Mechanical differential axle
Transmission by 1/16 reduction gearing on rear wheels

SUSPENSION

Front: double wishbone, Rear: leaf spring

BRAKES

Front: disc brakes, Rear: drum brakes
 Mechanical service brake (hydraulically controlled)
 Electric regenerative service brake recovering energy for storage in the battery
 Mechanical parking brake (cable-operated on rear drum brakes)

STEERING

Mechanical steering with electric power steering fitted as standard

BATTERY

Lithium 180 Ah - C1 - nominal power 13.86 kWh
 Lead Acid 72V 220 Ah - C5 - nominal power 15.8 kWh
 Estimated recharging time: 8 hours

EQUIPMENT

SECURITY

- Key lock: cab, boot and box as standard
- Driver identification and vehicle power-up via RFID badge
- Driver presence sensor
- Belted driver and passenger seats
- Door protectors with expanded polypropylene shock absorbers
- Reverse warning system
- Horn
- Hazard warning lights
- 12V LED flashing light
- Automatic power off (when driver leaves seat)
- Pre-arrangement for roof equipment (with control from the cab)
- 2-speed front windscreen wipers with washer

CABIN & COMFORT

- 2-seater cabin
- Insulated roof made of expanded polypropylene
- 1 rear window with sliding opening
- Windscreen demisting with 3-speed ventilation
- LED cab light
- Keyless identification and start (RFID badge)
- Adjustable driver and passenger seats
- Power steering as standard
- 12V socket
- Radio with 12V USB socket
- Reversing camera

CONTROLS

- Foot control: audible pedestrian warning system
 - Left-hand dial: controls for lights, indicators and horn
 - Right-hand dial: wiper, washer, gear selector, forward/reverse direction selector
 - Dashboard controls: ventilation / demisting, steering wheel angle adjustment, hazard lights
- > Controls for equipment and accessories:
- ▶ Rotating beacon control
 - ▶ Rear working light control
 - ▶ Rear fog light control
 - ▶ Controls for 12V sockets at the front and rear
 - ▶ Tipper lift control
 - ▶ Tipper Rolling control
 - ▶ Front gear selector (slow / fast)
 - ▶ Windscreen demister control
 - ▶ Central control panel with membrane keyboard and 4.3 inch LCD display

Optional ACCESSORIES & EQUIPMENT

- 2 side doors with sliding windows
- Three-way tipping with in-cab and remote control:
 - ▶ long tipper
 - ▶ short tipper
- Side and rear panels made of aluminium h=38 cm
- Aluminium side and front extensions h=51 cm
- Converter 72VDC 230 V AC - power 2 kW (continuous) and 3,2 Kw (peak)
- Roof bars
- Trailer hitch with socket
- Spare wheel with support

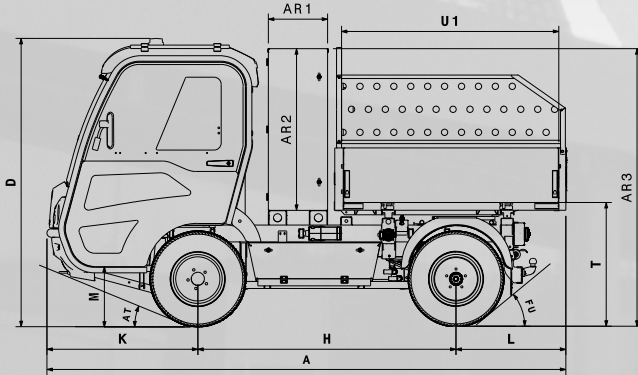
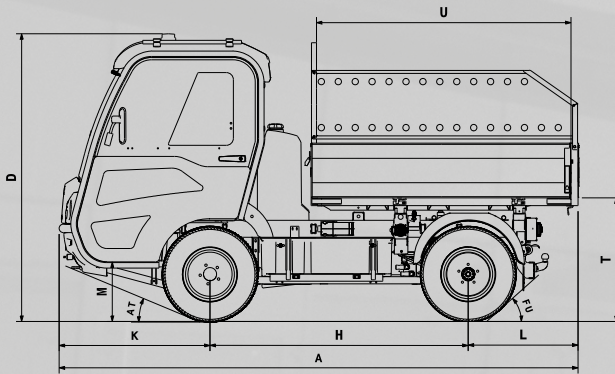
VISIBILITY

- LED daytime running lights
- Front lights (high beam, low beam, position and daytime running lights)
- Rear lights (brake, parking, reversing)
- Front, side* and rear* turn signals
- Rear fog lamps* (rear)
- Reflective strips (* with LED)

HOMOLOGATION

- Maga type road homologation in France. For other countries, please contact us.

ETLANDER



TEMPLATE in mm

	Lead	Lithium
A = Overall length	3713	
B = Overall width	1980	
C = Cabine width	1510	
D = Height	1982	1990
F = Seat height (SRP) SIP	(850) 951	961
G = Transmission height	195	200
H = Wheelbase	1830	
I = Front and rear track width	1315	
K = Front overhang	1070	
L = Rear overhang	813	

	Lead	Lithium
M = Step height	416,3	
T = Loading height	900	933
U = Interior length long tipper	1816	
U1 = Interior length short tipper	1540	
W = Interior length of bucket	1515	
AT = Angle of attack	21°	
FU = Departure angle	42°	45°
AR1 = Outside width of cabinet	420	
AR2 = External cabinet height	1146	
AR3 = Cabinet height	1971	1986

MASSES in kg

Mass lead battery	571
Mass lithium battery	137
Mass with lead battery	1590
Mass with lithium battery	1155
Payload	1000
GVW	2695



ETESIA SAS - 13 rue de l'Industrie - F 67165 WISSENBURG CEDEX
+ 33 (0)3 88 54 89 00 - etesia@etesia.com